

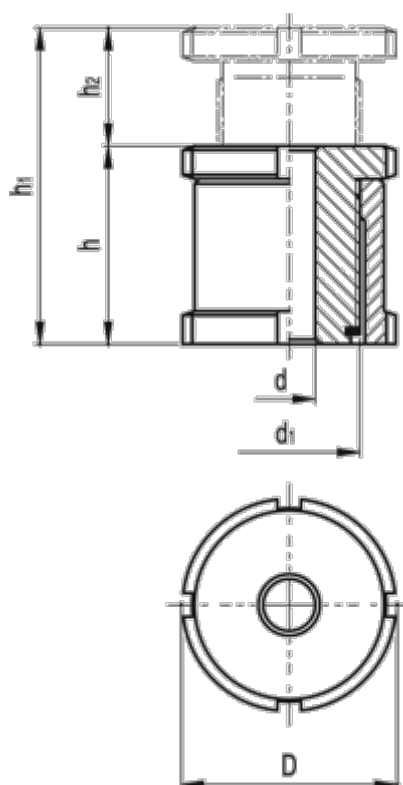
Data Sheet



Article number: 20660155

Description: E+G Levelling set
GN 350-25-6.6-A-ST

Measures



C-spanner DIN 1810 = A25-28

d = 6.6

D = 25

d_1 = M15x1

For screw = M6

h = 28

h_1 = 43

h_2 = 15

Max static load (N) = 40.0

Static preload (N) = 30.7

Weight (g) = 68